

Duster 1000 & 2000

Mobile Air Cleaning System



OPERATIONS MANUAL



CONGRATULATIONS!

By choosing a Duster 1000 or 2000 you have acquired
A LIFETIME OF CLEAN AIR

The Duster was developed after years of research and development to find solutions to the problems of poor indoor air quality, especially in shop environments. It is constructed of only the highest quality components. The Duster's mobility, ability to circulate all the shop air, and 3 & 4-stage filtration process represent a dramatic breakthrough in the application of modern air cleaning technology.

Table of Contents

| | PAGE |
|---------------------------------|------|
| Safety Instructions | 2 |
| Parts & References | 3 |
| Parts List | 4 |
| Cleaning the Filters | 5 |
| Changing the Filters | 5 |
| Digital Filter Monitor | 6 |
| Filter Monitor Adjustment | 7 |
| Specifications | 8 |
| Options | 8 |
| Trouble Shooting | 9 |
| Won't start | 9 |
| Digital gauge problems | 9 |
| Filter problems | 9 |
| Warranty Information | 10 |

Safety Instructions

The Duster has been engineered for safety.

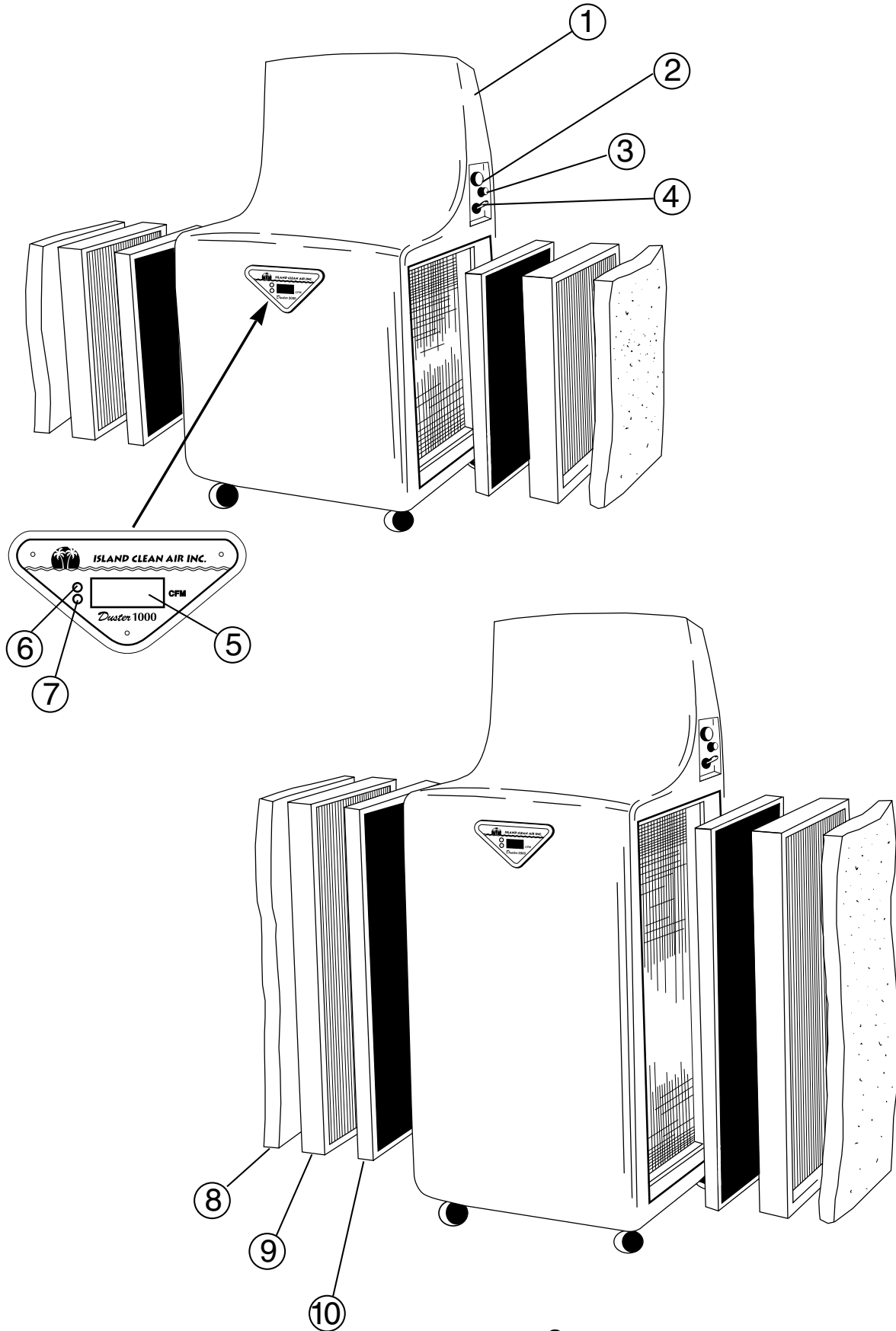
It is built of fire-resistant materials, and automatic power shut off features.

- Do not use extension cords of less than 14 gauge wire. Draws 8 amps, 115 volt. Most circuits are 15 amps.
- ***Important Note:*** Keep this machine clean. Do not put heavy objects on top of the plastic or it will slowly deform.
- ***Using filters other than those shown in this manual will void the warranty.***

Note:

1. *This machine is equipped with a sensor that will shut down the motor in the event of overheating*
2. *The red light is a filter cleaning indicator only. If it is on in HIGH, the airflow is greatly reduced and the filters will need to be cleaned. The light will go out when the filters are cleaned.*
3. *The operation of this unit does not exclude the proper use of industry approved respirators and Island Clean Air Inc cannot guarantee health benefits.*

Parts and References



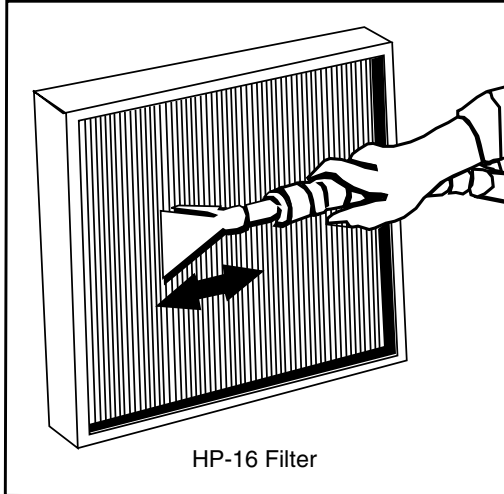
Parts List

- ① Polyethylene Unit Housing.
- ② Variable Speed Control 300 -1000 cfm
- ③ Fuse Holder 125V, 20 Amps, Puck & turn
- ④ On / Off Power Switch
- ⑤ Air Flow Reading, tells you when to clean the filters, Check on “High”
- ⑥ Green “on” indicates good air flow
- ⑦ Red “on” only indicates poor air flow
- ⑧ Green (pre-filter) pad. Vacuum clean
- ⑨ White Pleated Filter
Duster 1000 13.3 sq. ft. of media
Duster 2000 30 sq. ft. of media
Polyester material vacuum clean.
High pressure washable.
- ⑩ Activated granular Carbon Cell

Cleaning the Filters

When gauge is reading 750 or less on high position. Duster 1000

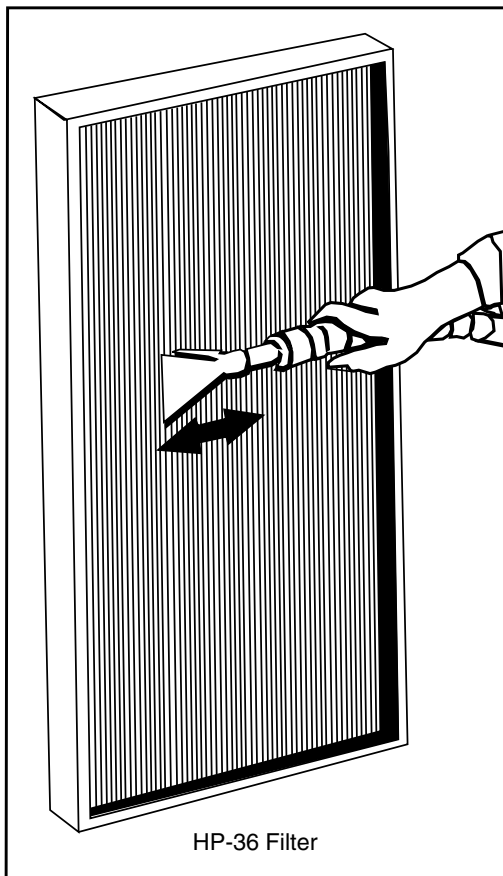
When gauge is reading 1500 or less on high position Duster 2000



Procedure:

1. Turn off machine.
2. Vacuum the pads first.
3. Remove pads and vacuum pleated filter behind the pads.
4. Reinstall the pad.
5. Reinstall filters.

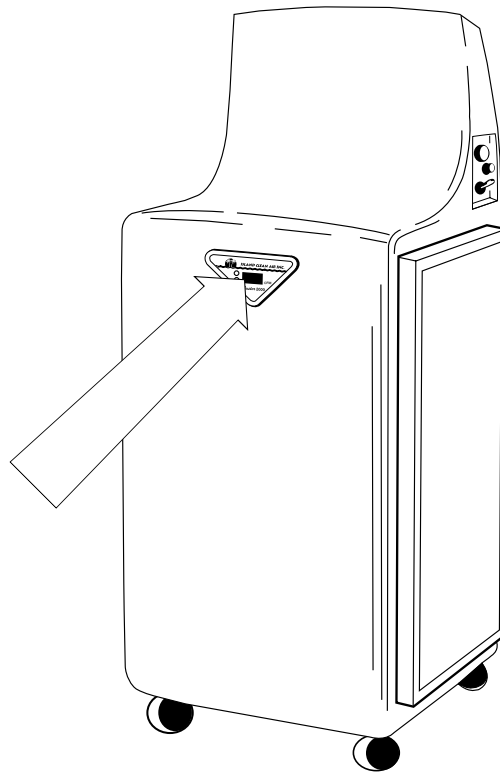
Note: Occasionally, remove the filter and high-pressure wash (10" away) only the pleated filters to remove trapped particulate.



Carbon Filters: (not cleanable) Shake (in a vertical position) monthly to expose fresh carbon granules.

Digital Filter Monitor

Shows you when to clean the filters



The digital read-out on the front of the machine indicates the airflow volume in cubic feet per minute (CFM). When the machine is first started the reading should be at least 1000 for the Duster 1000, and 2000 for the Duster 2000 in the high position of variable speed control.

As the filters get loaded with dust the reading goes down if you operate the machine at the same speed. Check filters on high position.

After several months, the reading may be down by 500, even after vacuum cleaning. Then it will be necessary to high pressure wash only the pleated filters.

Note: Carbon filters are not cleanable, but you should shake them (in a vertical position) monthly to expose fresh carbon granules into the air flow.

Continued Over →

Filter Monitor

Duster 1000 & 2000
Filter Monitor Readings
After one week of use (with cleaned filters)

Date: _____

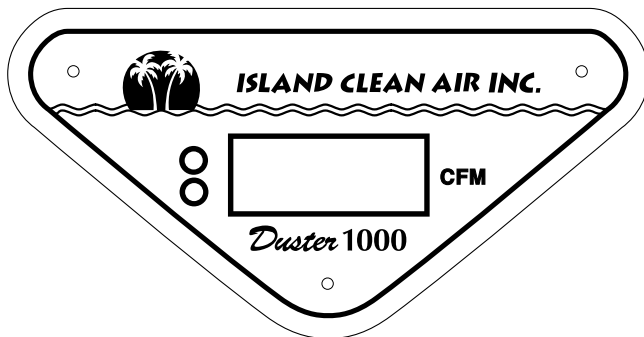
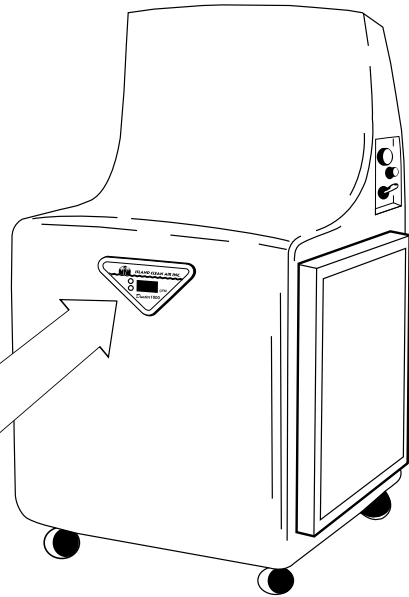
Initial Reading: _____

Right Side Closed: _____

Left Side Closed _____

Record your readings

Removes cover for
adjusting screw



Specifications

All components are factory and field tested; all highest quality.

Duster 1000

FILTERS: Made in the USA and Canada.

1. DP16 DUST/SPRAY PAD
16" x 16" x 2"
406mm x 406mm x 50mm
2. HP16 INTAKE FILTER
16" x 16" x 4"
406mm x 406mm x 100mm
3. CF16 CARBON FILTER
16" x 16" x 1"
406mm x 406mm x 25mm

ELECTRICAL:

1/2 Hp, 1-8 Amp, 110V motor –
direct drive
Variable speed control
Available 50Hz, 220V

BLOWER CAPACITY:

1000 CFM
28.3 cubic meters/minute

UNIT BODY CONSTRUCTION:

Molded polyethylene
Impact resistant

WEIGHT:

Net 71 pounds 32.2 kg

WARRANTY:

3 years parts, filters excluded

QUIET OPERATION:

0 – 68 db

Duster 2000

FILTERS: Made in the USA and Canada.

1. DS6 DUST/SPRAY PAD
16" x 36" x 1"
406mm x 915mm x 25mm
2. HP36 INTAKE FILTER
16" x 36" x 4"
406mm x 915mm x 107mm
3. CF36 CARBON FILTER
16" x 36" x 1"
406mm x 915mm x 25mm

ELECTRICAL:

1 Hp, 1-12 Amp, 110V motor –
direct drive
Variable speed control
Available 50 Hz, 220V

BLOWER CAPACITY:

2000 CFM
56 cubic meters/minute

UNIT BODY CONSTRUCTION:

Molded polyethylene
Impact resistant

WEIGHT:

Net 101 pounds 40.7 kg

WARRANTY:

3 years parts, filters excluded

QUIET OPERATION:

0 – 72 db

Trouble Shooting

Won't Start:

1. Is it plugged it correctly. Extension cords should be 14 gauge, grounded.
2. Check wall outlet circuit breaker or fuse. Motor draws 8 amps. Most breakers are 15 amps. Usually you cannot run other large machinery on the same circuit.

Digital Gauge Problems:

- See pages 6 and 7 for full details on the Filter Monitor and how you can reset it, if necessary.

Filter Problems:

- CAUTION: Paint overspray, oil and glue mists, will destroy the HP-16 pleated filters. Always keep the green pads in place in front of them.
- To get the longest filter life out of carbon filters shake them (in a vertical position) monthly to expose fresh carbon surfaces to the airflow.

Warranty Information

Please note:

In order to validate your warranty, the Warranty Registration Card must be filled and returned to Island Clean Air Inc. Non-registered claims may be rejected.

Terms:

All products made by Island Clean Air Inc. are warranted to be free of defects in materials and workmanship for a period of three (3) years from the date of original purchase. Warranty parts will be furnished free of charge, to replace any parts which are determined to be defective.

This limited warranty does not include filters, cleaning, or damages caused by accident, neglect or misuse and will cease if the products is re-sold, rented or otherwise disposed of. Only factory original filters are recommended for use with this product. The use of any other filters not specifically sold by, or approved by Island Clean Air Inc. may affect the performance and safety of the product, and will void this warranty.

In no event shall Island Clean Air Inc. be liable for any indirect, incidental or consequential damages from the sale or use of this product. It cannot guarantee health benefits. This applies both during and after the term of this warranty.

This warranty provides specific legal rights.

Please report all claims by calling 1-800-661-8211 or 1-800-661-6211



Serving The Digital Graphics Industry Since 1992

PH: (714) 522-2204 • (800) 986-3484

FAX: (714) 522-3014

email: www.CMSCALMEDIA.com